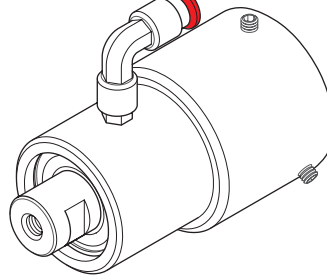


1 Chuck

Water cooling system(patented) works with all brands of 1/2" drill

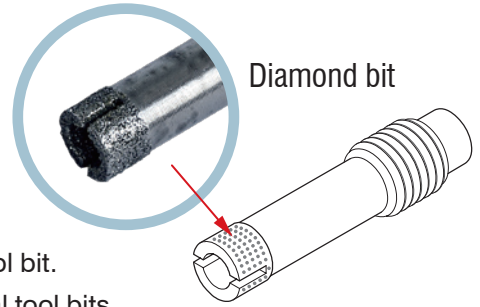
Easy Connector



2 Diamond Tool Bit

Diamond Drill tool available with 8Ø,10Ø,12Ø,16Ø,18Ø.

- Water comes out from Diamond tool bit that offers the best cooling system for long life of diamond tool bit. A skilful operator can drill up to 100 holes by 1 diamond tool bit.
- Machining by rotating protects tiles from broken. Traditional tool bits combines rotating and striking when machining that causes tiles broken easily.
- Deviated hole can be corrected by pipeline diamond tool bit. Traditional tool bit is impossible for corrections.
- Efficiency: fast and perfect holes.



Diamond bit

3 Water Tank

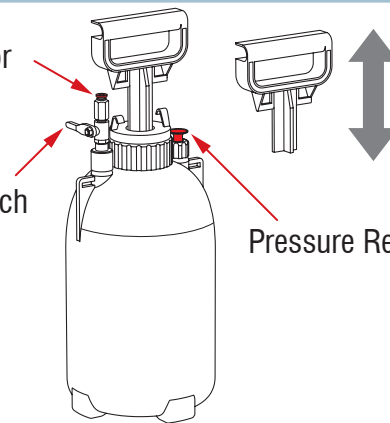
Water tank: designed with hand pump enables one man operations of drilling and water cooling.

Easy Connector

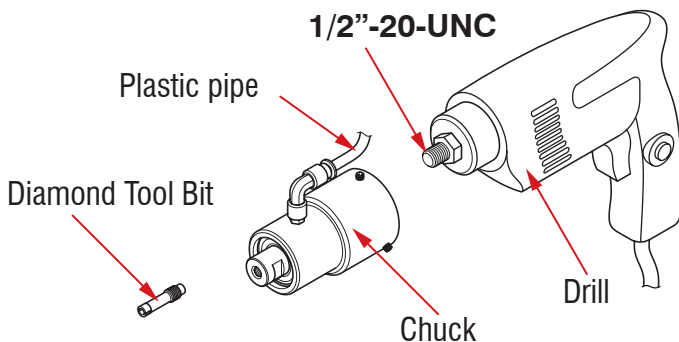
switch

Pressure Release Valve

Hand pump



4 Assembly



1/2"-20-UNC

Plastic pipe

Diamond Tool Bit

Chuck

Drill

Belt

Hook

Water Tank

